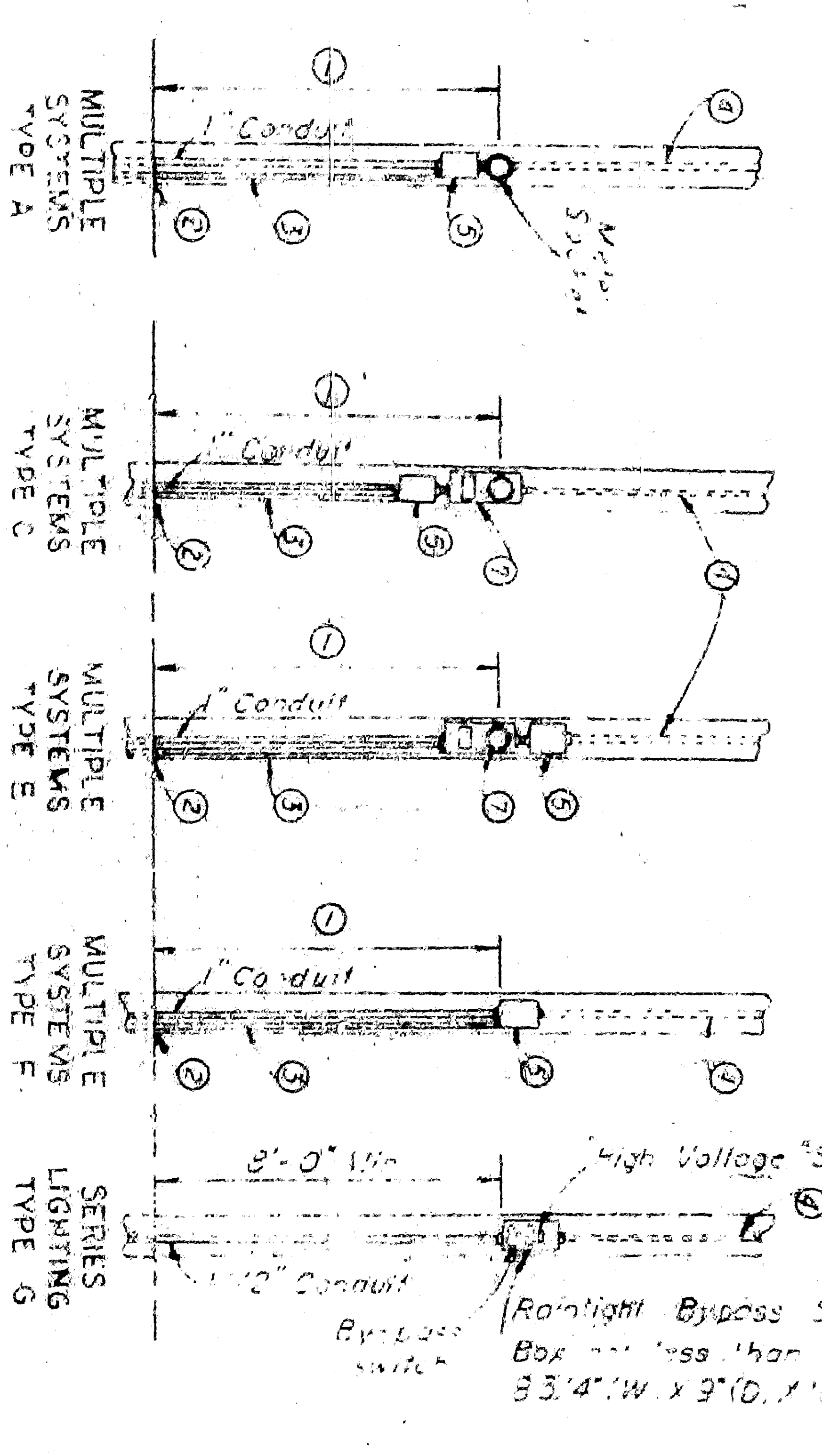


ISOLUX LINES OF MINIMUM HORIZONTAL FOOT CANDLES

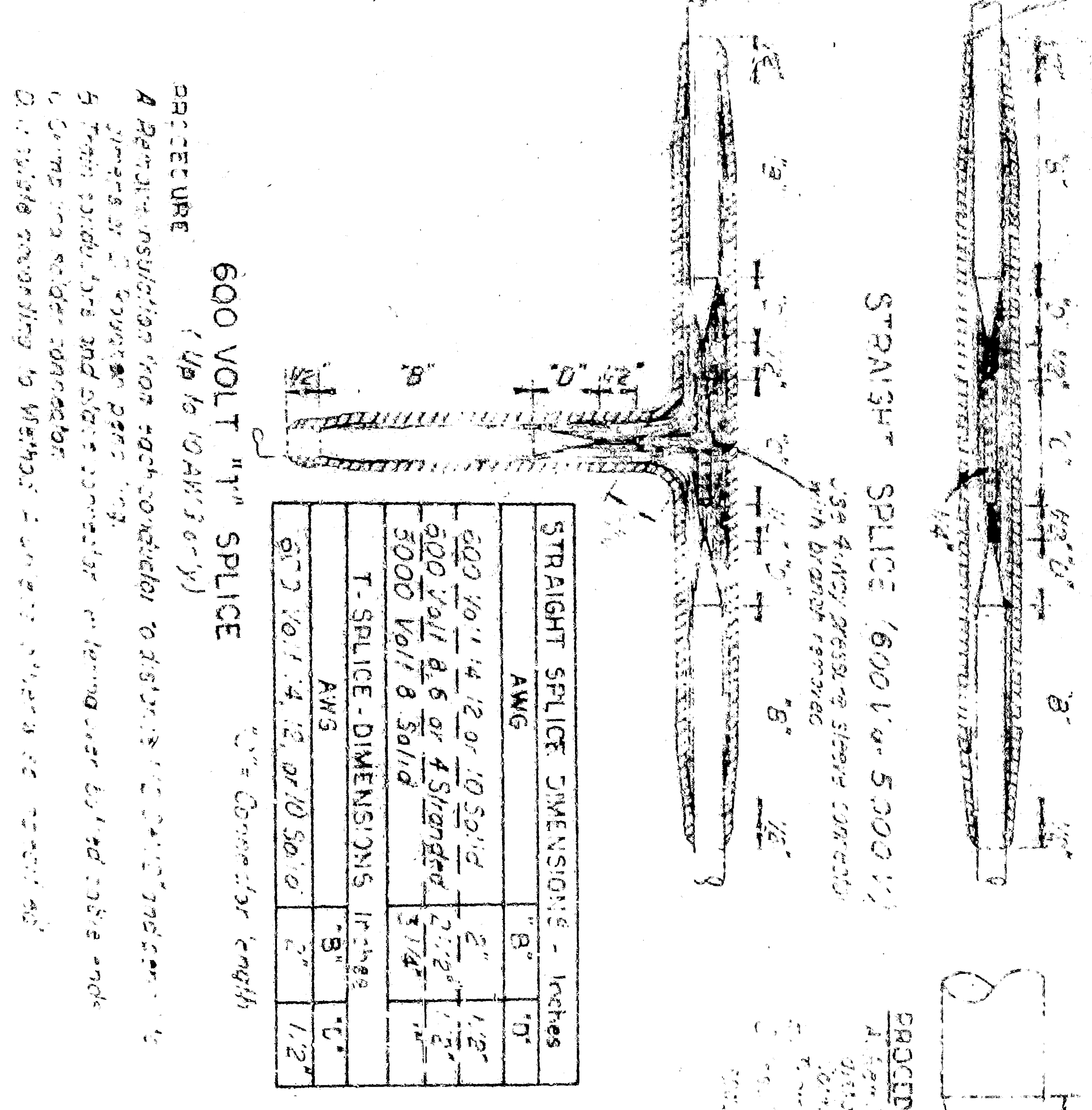
Scale: 1" = 50'



1. Height of service equipment to be adjusted from serving utility.
2. See ground rod details for Types A, C, E, & F.
3. Grounding conductor receiver shall be 1/2" conductor or hardwood mauling.
4. If service pole is utility owned service conductors, roadway and entrance rings shall be furnished by station or and installed by serving utility. On State owned poles depth as for spec; also check if the service conductor is to be installed on existing things. If wire when depth shall be terminated with a service head or shall be sealed to prevent the entrance of water, as approved by the serving utility.
5. Switch as specified in Rating of Cabinet.
6. Switch as specified, Fisher Machine Co. in 18" x 10" x 4 1/2" (minimum) box.
7. Meter Socket Box as approved by serving utility with either manual or automatic opening device or space for test block as specified.

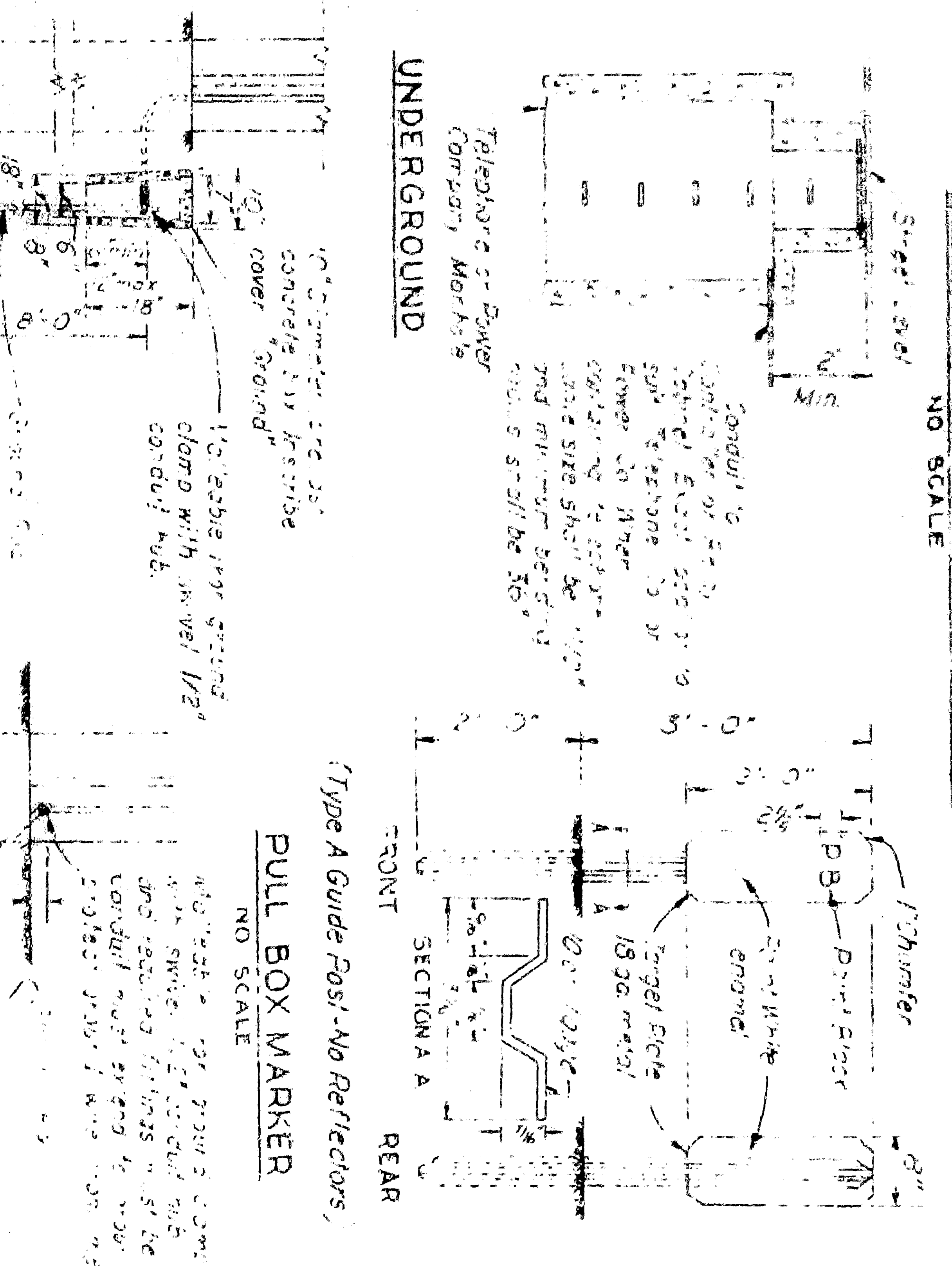
SERVICE DETAILS

NO SCALE



SPlicing DETAILS

NO SCALE

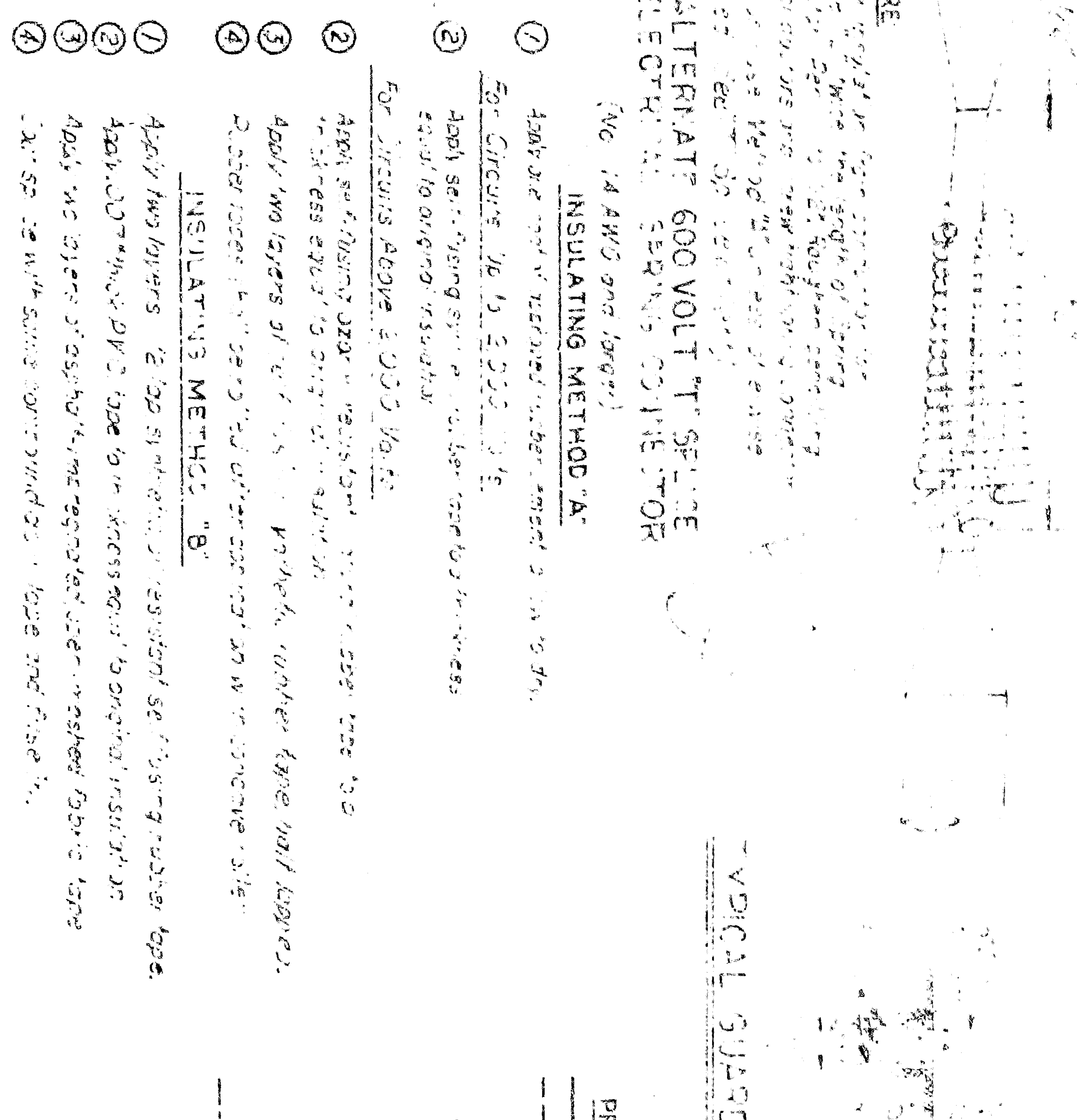


PULL BOXES

NO SCALE

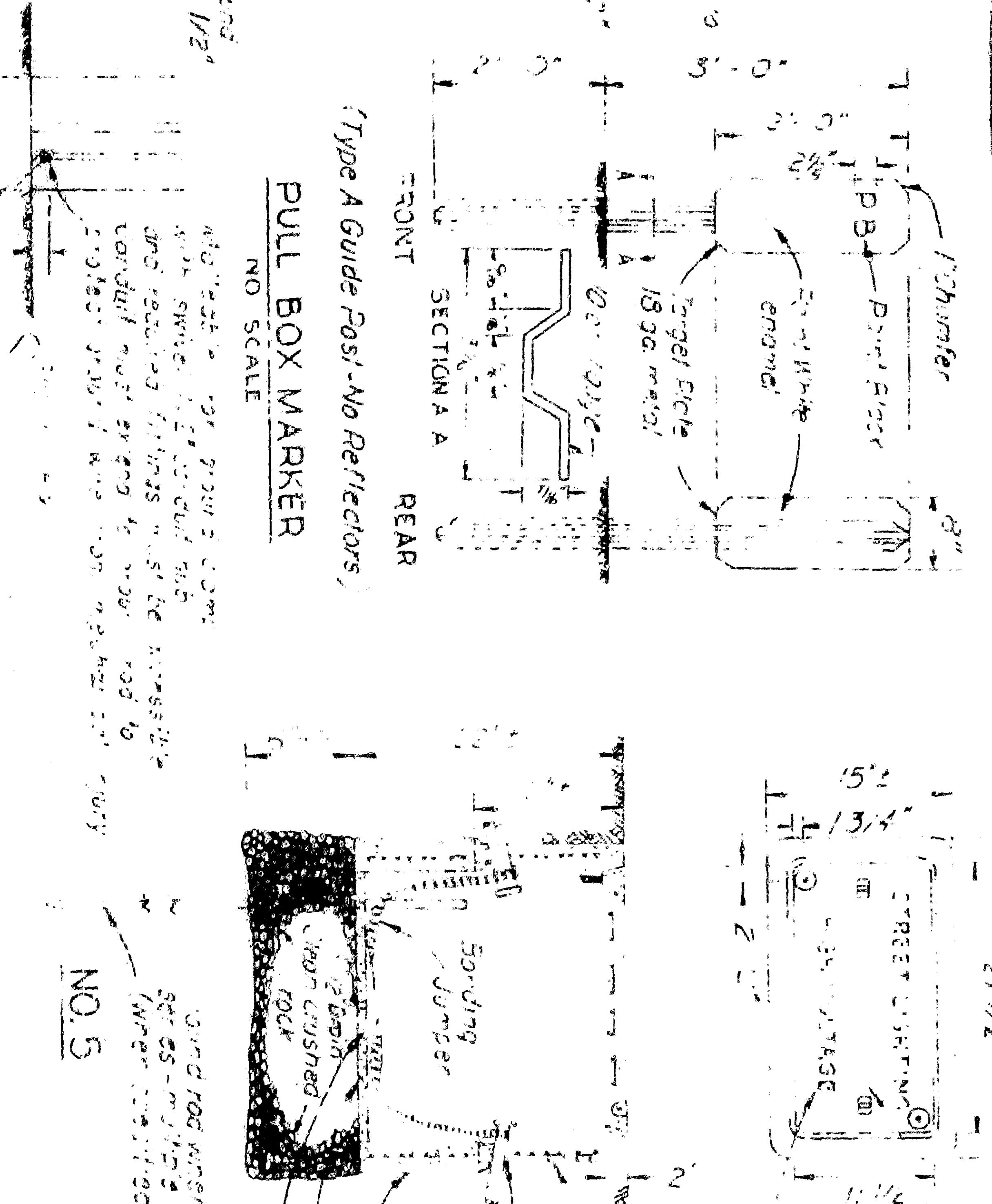
When wire pipe is used for ground wire shall be installed in organized and conduit or equivalent sized race. Both shall ground surface 6'-0" diameter and 3/4" galvanized rod or pipe. The 1/2" steel rod of cross member of cabinet covered steel.

SERVICE GROUNDING DETAILS



SYMBOLS

NO SCALE



PULL BOX MARKERS

NO SCALE

Steel reinforcing shall be 3/8" diameter and shall be installed in the standard products of the respective manufacturer.

STANDARD DETAILS

NO SCALE

DEVELOPMENT AGENCY OF THE CITY OF SAN BERNARDINO	DEPARTMENT OF ENGINEERING
PROJECT AREA NO. 1	CITY OF SAN BERNARDINO
REASON FOR WORK	PROJECT AREA NO. 1
SCALE NO.	SCALE NO.
APPROVED BY: [Signature]	APPROVED BY: [Signature]
DATE: [Date]	DATE: [Date]
DRAWN BY: [Name]	DRAWING NO. 2863
CHECKED BY: [Name]	SHEET 1 OF 1
SCALE AS NOTED	REV. DATE: 5.1.59
	DRAWING BY: [Name]